

PoE Industrial Ethernet Switches

Compact DIN Rail PoE Switches

In addition to transmitting network data, a PoE Switch has a built-in Power over Ethernet injector to supply **up to 100W** Power over Ethernet (PoE) to standards-based **802.3af, 802.3at and 802.3bt** compliant devices such as **IP cameras, VoIP phones, and wireless access points**. When connecting network devices, the switch will detect whether they are POE-compatible and automatically supply power. Using a PoE Switch saves on installation and maintenance costs by eliminating the need to install multiple pieces of equipment, additional electrical wires, and outlets.

Perle PoE Switches are classified as **Layer 2 Power Sourcing Equipment (PSE)**. The industrial design of a **Perle IDS PoE Switch**, and all internal components, make it ideal for use in harsh environments subject to **vibrations, extreme temperature fluctuations from -40C to 75C, and shocks** such as:

- industrial and factory automation
- outdoor applications
- rail and intelligent transportation systems (ITSS),
- marine
- oil and gas
- mining

Perle IDS Managed Switches have enterprise-grade features that include PROFINET and Modbus TCP Protocol Support, MRP IEC 62439-2 Ring protocol for <10ms recovery time, STP/RSTP/MSTP, IGMP Snooping, QoS, VLAN, TACACS+, RADIUS, IEEE 802.1X authentication, SSH, SNMPv3, HTTPS, and IEEE 1588 PTP.


[Get a quote](#)
[Filter & Search Products](#)

Perle IDS PoE Switches - Managed & Unmanaged

[IDS-710HP PoE \(100W\) Switch](#) [10-port Managed Switch](#)



- [8 x 10/100/1000 RJ45 Ethernet ports](#)
- [2 x SFP Slots supporting 1G/2.5G Fiber or 10/100/1000Base-T](#)
- [8 ports 100W Hi-PoE, IEEE 802.3bt compliant](#)
- [450 Watts of available power](#)
- [-40°C to +70°C Operating Temperature](#)

[IDS-509PP PoE \(30W\) Switch](#) [9-port Managed Switch](#)



- [9 x 10/100/1000Mbps RJ45 Ethernet ports](#)
- [8 ports 30W PoE+, IEEE 802.3at compliant](#)
- [48 VDC or 54 VDC Dual Power Input](#)
- [Digital Inputs for the generation of alerts](#)
- [-40°C to +75°C Operating Temperature](#)

[IDS-509GPP PoE \(30W\) Switch](#) [9-port Managed Switch](#)



- [6 or 7 x 10/100/1000Mbps RJ45 Ethernet ports](#)
- [3 or 2 x Gigabit SC or ST Fiber ports](#)
- [6 ports 30W PoE+, IEEE 802.3at compliant](#)
- [48 VDC or 54 VDC Dual Power Input](#)
- [Digital Inputs for the generation of alerts](#)
- [-40°C to +75°C Operating Temperature](#)

[IDS-509FPP PoE \(30W\) Switch](#)

[9-port Managed Switch](#)



- [6 or 7 x 10/100/1000Mbps RJ45 Ethernet ports](#)
- [3 or 2 x 100Mbps SC or ST Fiber ports](#)
- [6 ports 30W PoE+, IEEE 802.3at compliant](#)
- [48 VDC or 54 VDC Dual Power Input](#)
- [Digital Inputs for the generation of alerts](#)
- [-40°C to +75°C Operating Temperature](#)

[IDS-509CPP PoE \(30W\) Switch](#)

[9-port Managed Switch](#)



- [5 x 10/100/1000Mbps RJ45 Ethernet ports](#)
- [1 x 100/1000Mbps Fiber SFP slot](#)
- [3 combo ports: RJ45 or SFP slots](#)
- [8 ports 30W PoE+, IEEE 802.3at compliant](#)
- [48 VDC or 54 VDC Dual Power Input](#)
- [Digital Inputs for the generation of alerts](#)
- [-40°C to +75°C Operating Temperature](#)

[IDS-108FPP PoE \(30W\) Switch](#)

[8, 9, 10-port Unmanaged Switch](#)



- [8 x 10/100Mbps RJ45 Ethernet ports](#)
- [4 PoE ports supply up to 30 Watts PSE power](#)
- [Optional 100Mbps Fiber SC or ST ports](#)
- [24/48 VDC Dual Power Input](#)
- [-40°C to +75°C Operating Temperature](#)

[IDS-105GPP PoE \(30W\) Switch](#)

[5, 6, 7-port Unmanaged Switch](#)



- [5 x 10/100Mbps RJ45 Ethernet ports](#)
- [4 PoE ports supply up to 30 Watts PSE power](#)
- [Optional Gigabit Fiber SC, ST, or SFP ports](#)
- [24/48 VDC Dual Power Input](#)

- [-40°C to +75°C Operating Temperature](#)

[S-1110HP-SFP-XT PoE \(100W\) Media Converter](#)

[2-port Unmanaged Switch](#)



- [2 x 10/100/1000Mbps RJ45 Ethernet ports](#)
- [Supply IEEE 802.3bt \(100W\) PSE power](#)
- [1 or 2 100/1000Mbps Fiber SFP slots](#)
- [Extend network distances up to 10km \[6.2mi\]](#)
- [-40°C to +75°C Operating Temperature](#)

[S-1110HP-XT PoE \(100W\) Media Converter](#)

[2-port Unmanaged Switch](#)



- [2 x 10/100/1000Mbps RJ45 Ethernet ports](#)
- [Supply IEEE 802.3bt \(100W\) PSE power](#)
- [1 x Gigabit Fiber with Dual SC/ST or Single SC Connector](#)
- [Extend network distances up to 10km \[6.2mi\]](#)
- [-40°C to +75°C Operating Temperature](#)

[S-1110HP-SFP PoE \(100W\) Media Converter](#)

[2-port Unmanaged Switch](#)



- [2 x 10/100/1000Mbps RJ45 Ethernet ports](#)
- [Supply IEEE 802.3bt \(100W\) PSE power](#)
- [1 or 2 10/100Mbps Fiber SFP slots](#)
- [Extend network distances up to 160km \[100mi\]](#)
- [0°C to +50°C Operating Temperature](#)

[S-1110HP PoE \(100W\) Media Converter](#)

[2-port Unmanaged Switch](#)



- [2 x 10/100/1000Mbps RJ45 Ethernet ports](#)
- [Supply IEEE 802.3bt \(100W\) PSE power](#)
- [1 x Gigabit Fiber with Dual SC/ST or Single SC Connector](#)
- [Extend network distances up to 160km \[100mi\]](#)
- [0°C to +50°C Operating Temperature](#)

[S-1110P PoE \(30W\) Media Converter](#)

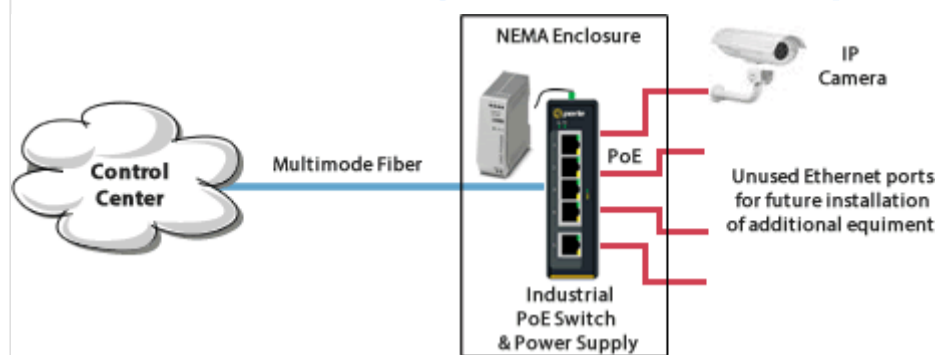
[2-port Unmanaged Switch](#)



- [2 x 10/100/1000Mbps RJ45 Ethernet ports](#)
- [Supply up to 30 Watts PoE PSE power](#)
- [1 or 2 x 100/1000Mbps Fiber](#)
- [SFP, Dual Fiber SC/ST or Single Fiber SC Connectors](#)
- [Extend network distances up to 160km \[100mi\]](#)
- [0°C to +50°C Operating Temperature](#)

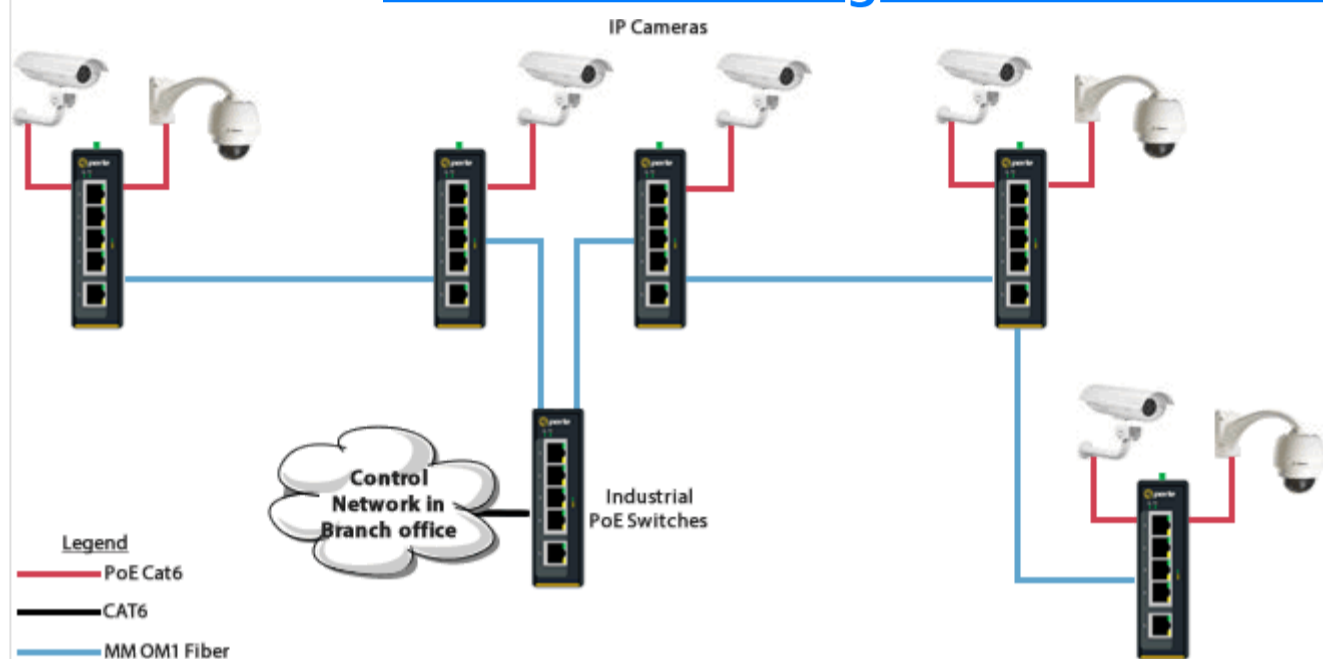
Industrial PoE Switch Applications & Information

[City of Colorado Springs use Perle PoE Switches](#)



[Colorado Springs power new Security Cameras with Perle PoE Switches. Industrial Switches provide PoE and Copper to Fiber conversion for city-wide IP camera installation](#)

[Central Bank of Nigeria use Perle PoE Switches](#)



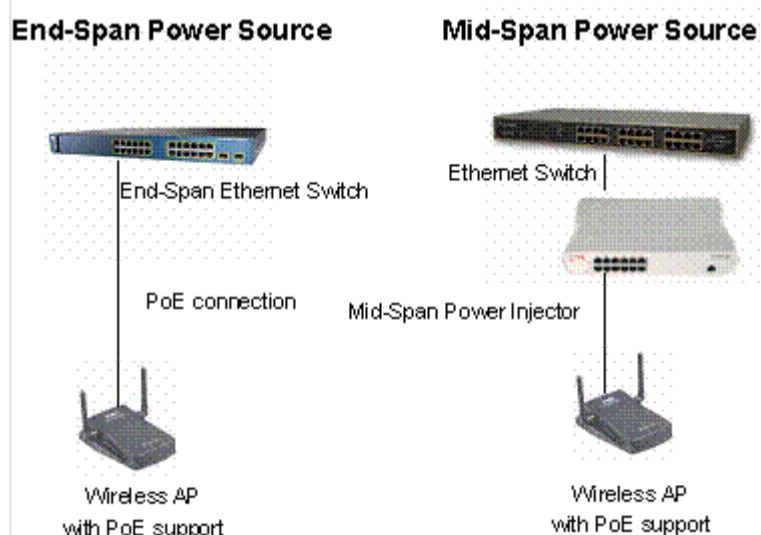
[PoE Industrial Switches provide connectivity and power for new security camera installation operating in a high-temperature environment](#)

[Choosing the right Power Sourcing Equipment](#)



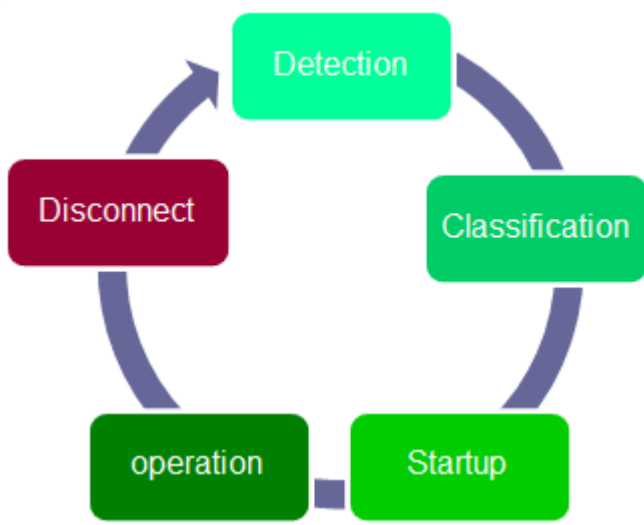
[As devices that require power \(PDs\) are upgraded, it is important to ensure the Power Source Equipment \(PSE\) that you choose will not need to be replaced. Here are some things to consider...](#)

[A Background on Power Over Ethernet](#)



[Learn about the evolution of IEEE 802.3bt, 802.3at, and 802.3af standards as well as understanding the differences between PSEs, Single-signature PDs, and Dual-signature PDs.](#)

[PoE Power Management Controller Benefits](#)



[To fully comply with IEEE 802.3af/at standards, properly designed PoE PSEs will have built-in PoE Management Controllers to meet the low voltage requirements of the SELV \(Safety Extra Low Voltage\) as defined in ISO/IEC 60950.](#)

Learn what 12V / PoE Means



Do you have a device that specifies "INPUT 12V / PoE", like in the image above? 12V / PoE means that device can be powered by a 12 VDC wall adapter OR a PoE Ethernet port. If you don't have an electrical wall outlet nearby, you need a 48V PoE Switch, that is compliant to the IEEE 802.3bt/af/at standard, to provide power to these devices.

Why Choose a Perle IDS Industrial Switch?



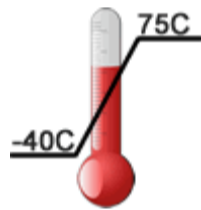
Perle Knows Industrial

We have been designing industrial hardware for Modbus and PROFINET to ethernet conversion for over 40 years. This expertise has been used to design the toughest Ethernet Switches on the market. Perle IDS-300 and IDS-500 Switches with the PRO feature set can be managed via PLC, NMS, HMI or SCADA systems using PROFINET or Modbus TCP. In addition, MRP (IEC 62439-2) provides fast convergence in an industrial ring network topology.



Robust & Reliable

Perle only uses **high-end components** from leading western chip manufacturers to ensure product reliability. This enables us to proudly publish the **high MTBF rates** on the Hardware Specs for each product. And, we back-up this reliability with a best-in-class Warranty.



Industrial Temperature-Grade

Many manufacturers claim -40°C to 75°C but use commercial parts that will fail in environments with extremely high or low temperatures. Integrated PCB circuits will overheat and under-rated connectors will not allow for proper contact between the device and cables. To prevent this, every component used in Perle Industrial Temperature Switches has been designed and tested to handle operating temperatures between -40°C and 75°C.



Technical Support

We have sales and technical support staff around the globe to support you. If you need help choosing the best DIN-Rail Switch for your application, we provide [technical consultations](#) by phone or email. And, even though Perle Industrial Switches are extremely easy to install and configure, [post-sales support](#) is easy to contact.



Standards-Based

To ensure that the system will operate with other Ethernet-enabled devices and IP applications, Perle IDS Switches use IEEE standards-based protocols. This also facilitates integration between industrial equipment and business office applications. These industry-recognized standards ensure the highest level of durability and adaptability under harsh environmental conditions



Trust

Perle has been providing reliable device connectivity solutions **since 1976**. That's **over 40 years** of experience that businesses around the globe have come to trust to deliver superior connectivity technology for mission-critical applications.

[Back To Top](#)

- [Products](#)
- [Applications](#)
- [About Perle](#)

- [Contact Us](#)
- [How to Buy](#)
- [Technical Support](#)

- [Legal Information](#)
- [Privacy & Cookie Policy](#)

Products by Perle



Follow Perle

Copyright © 1996 - 2022 Perle. All Rights Reserved

Send us an Email

×

Have a Question?

We can provide more information about our products or arrange for a price quotation.

Send an Email

[Call Us](#)